

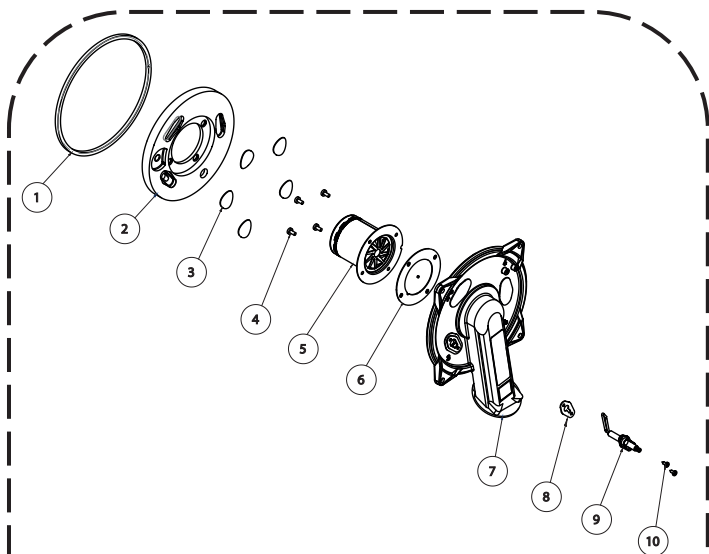
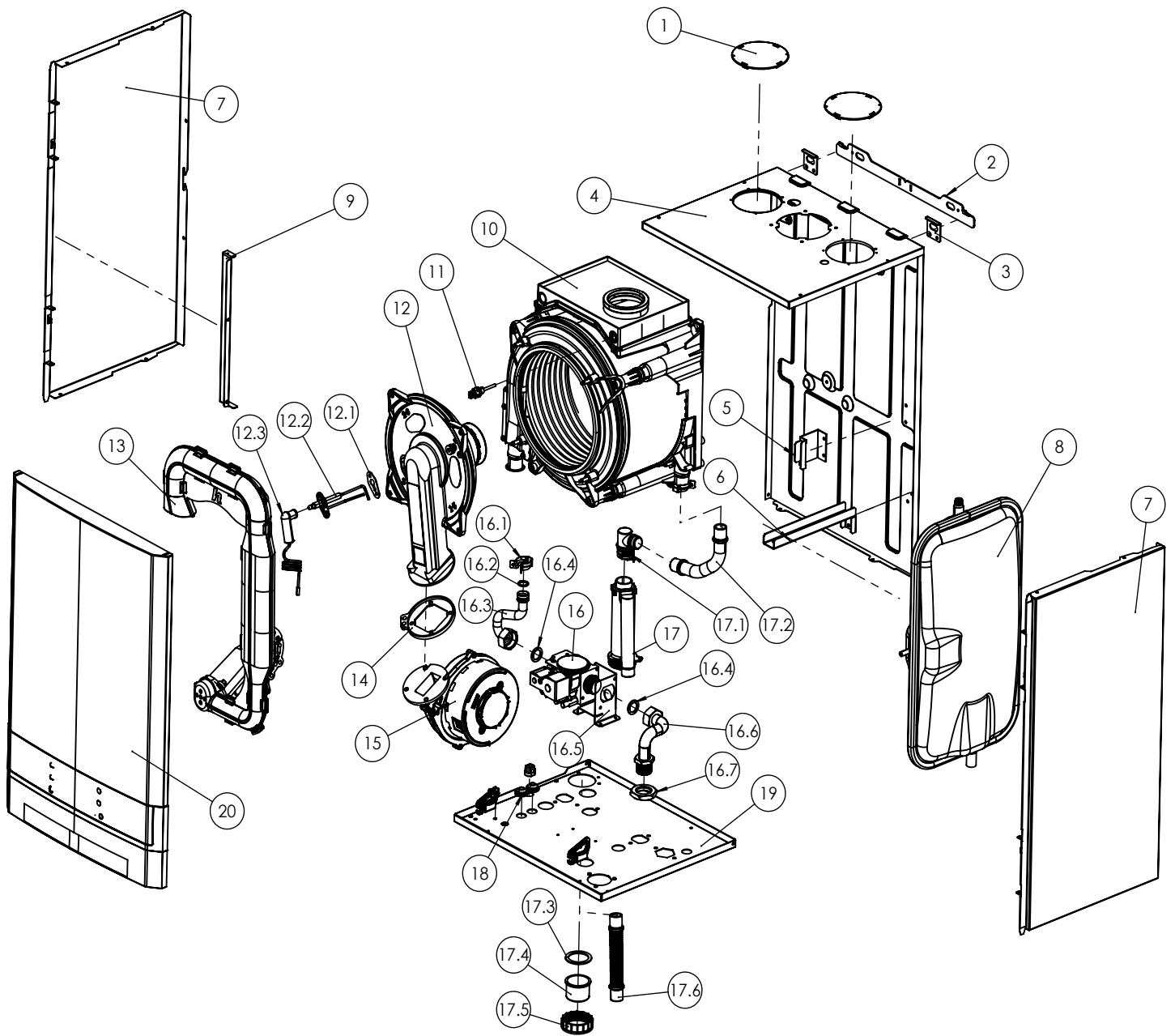


## SPARE PART LIST

05.10.2023

<i>Product</i>	EOMIX PLUS COMBI BOILER 90000089A / 90000082A / 90000093A - EOMIX PLUS SYSTEM BOILER 90000090A / 90000091A / 90000092A
<i>Model</i>	EOMIX PLUS COMBI 25KW / 32KW / 37KW - EOMIX SYSTEM 25KW / 32KW / 37KW
<i>Brand</i>	COPA
<i>Date</i>	05.10.2023

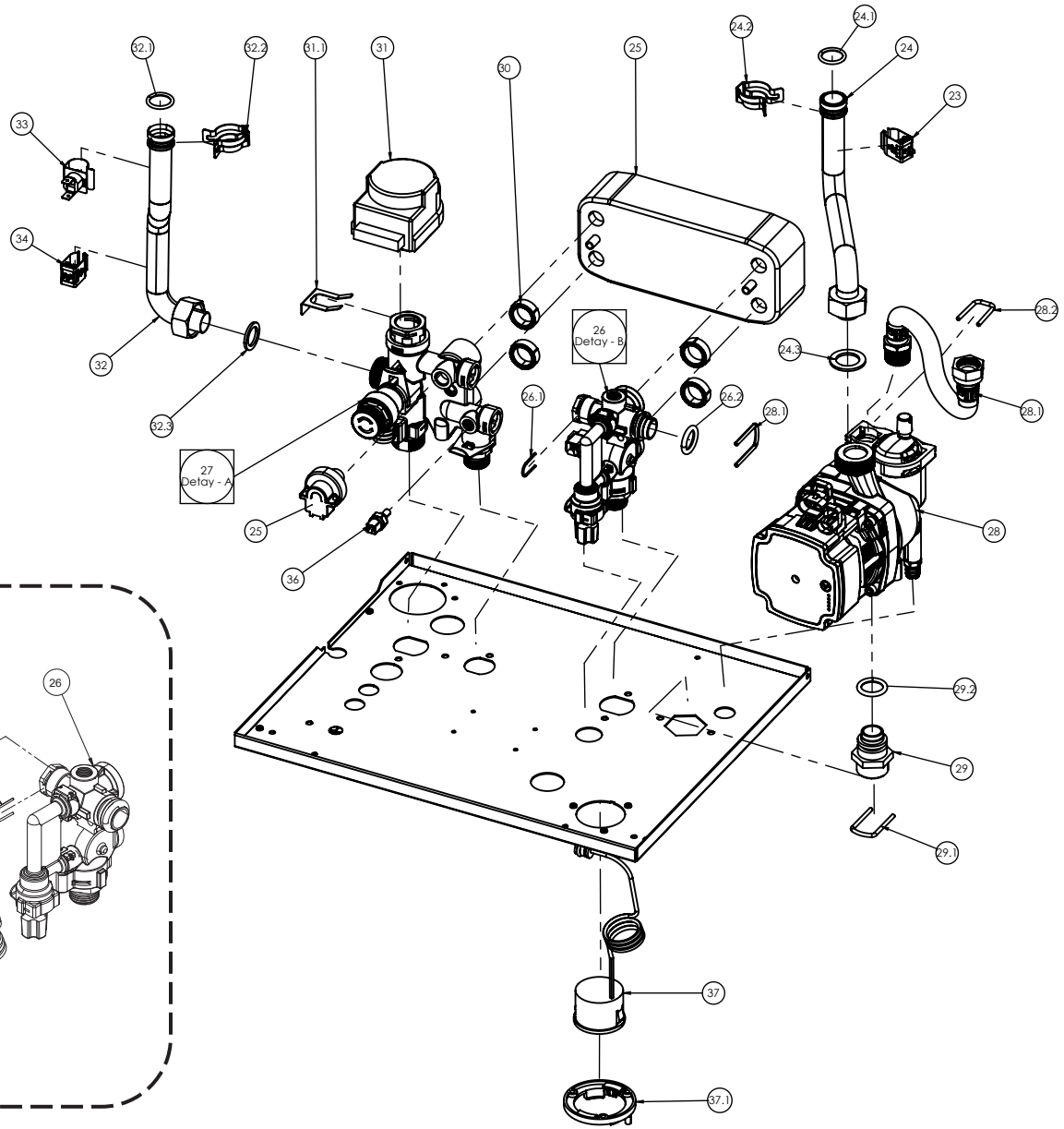




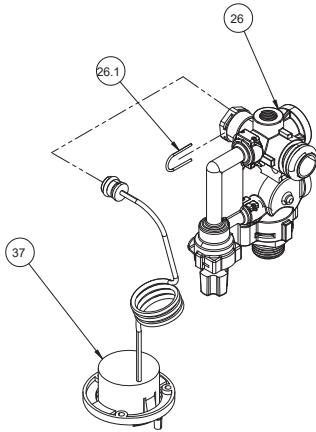
ITEM NO.	COMPONENT NO.	DEFINITION	QTY.
1	910000246	6x6 Graphite Fiberglass Square Roving	1
2	910000124	Manifold Ceramic Insulation ( 201 mm)	1
3	910000356	Kisling Ergo3120 Silikon (22 kg)	5
4	910000048	SF M5*10-H Screw Ejot ( Burner Montage )	4
5	910000010/910000565	Burner Polidoro 25-32 / Burner Polidoro 37	1
6	910000125	Graphite Burner Gasket	1
7	910000003	Manifold Aluminium	1
8	910000123	Graphite Electrode Gasket	1
9	910000126	Electrode 4 (Wireless)	1
10	910000247	AL 40X8 Screw Ejot	2

### Spare Part List

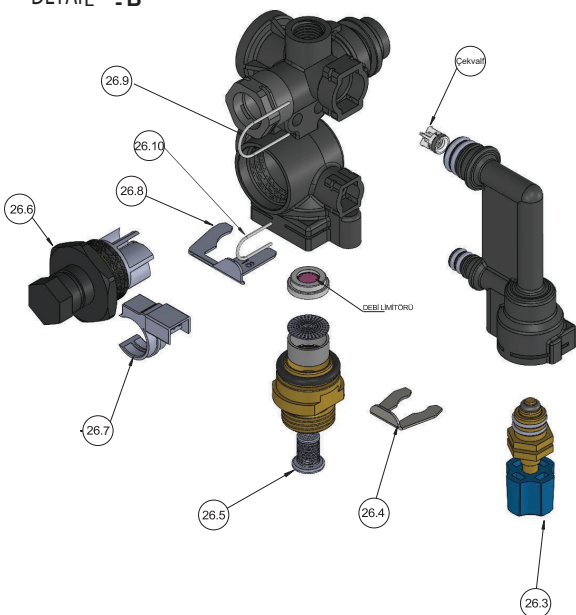
Number	Part Code	Part Definition	25 kW	32 kW	37 kW
1	75000106A	Air Discharge Cover	•	•	•
2	75000072A	Hanger Metal Plate	•	•	•
3	75000468A	L Cabin Hanger Bracket	•	•	•
4	75000256A	L Cabin BH	•	•	•
5	75000258A	Expansion Tank Support	•	•	•
6	75000717A	Expansion Tank L Bracket	•	•	•
7	75000253A	Side Panel	•	•	•
8	75000307A	Expansion Tank	•	•	•
9	75001024A	L Bracket (PCB)	•	•	•
10	75000315A	Heat Exchanger 25 BH	•		
10	75000524A	Heat Exchanger 29 BH		•	
10	75000814A	15,5 Coil Heat Exchanger			•
11	75000650A	Flue Gas Sensor COPA	•	•	•
12	75001010A	Manifold Group COPA Eomix	•	•	•
12.1	75000942A	Eomix Electrode Gasket	•	•	•
12.2	75000815A	Ignition Electrode Cable	•	•	•
13	75001011A	Silencer/Mixer Eomix Plus	•	•	•
14	75000534A	Fan Motor Gasket COPA Eomix	•	•	•
15	75000533A	Fan Motor VPX0170010P** Eomix	•	•	•
16	75000532A	Gas Valve SIT 848 COPA Eomix	•	•	•
16.1	75000697A	12x20 Gas Pipe Clip	•	•	•
16.2	75000698A	ORING 13.8x2.4 EPDM	•	•	•
16.3	75001145A	Gas Pipe COPA Eomix Plus	•	•	•
16.4	75000414A	GASKET 24x17x2 3/4	•	•	•
16.5	75001020A	Gas Valve Coupling Sheetmetal	•	•	•
16.6	75001145A	Gas Pipe Eomix Plus	•	•	•
17	75000240A	Siphon	•	•	•
17.1	75000242A	Siphon Elbow	•	•	•
17.2	75000687A	Hose Ø17 16cm	•	•	•
17.3	75000428A	Siphon Stopper Gasket Ø45x35x2	•	•	•
17.4	75000426A	Siphon Stopper	•	•	•
17.5	75000427A	Siphon Stopper Nipple	•	•	•
17.6	75000687A	Hose Ø19 23cm	•	•	•
18	75000459A	Electrode Cable Silicone	•	•	•
19	80060040A	Lower Console Eomix Plus	•	•	•
20	81000060B	Front Body Eomix	•	•	•



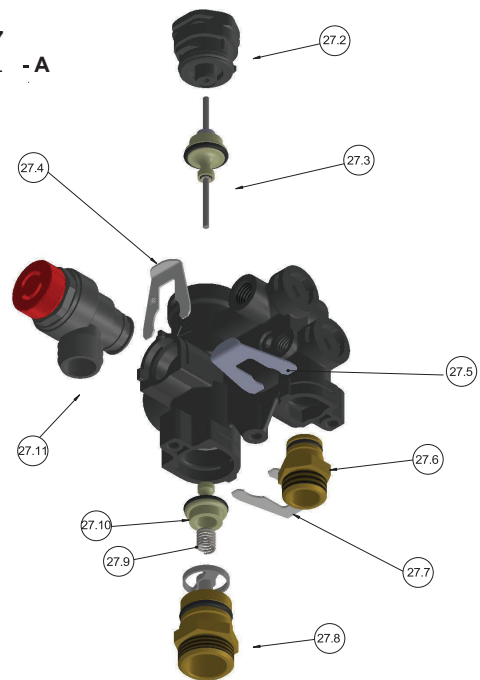
**Manometer Montage**



**26  
DETAIL - B**



**27  
DETAIL - A**

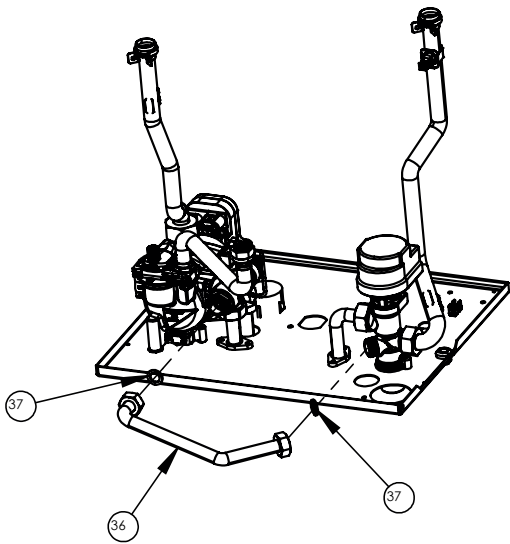


## Spare Part List

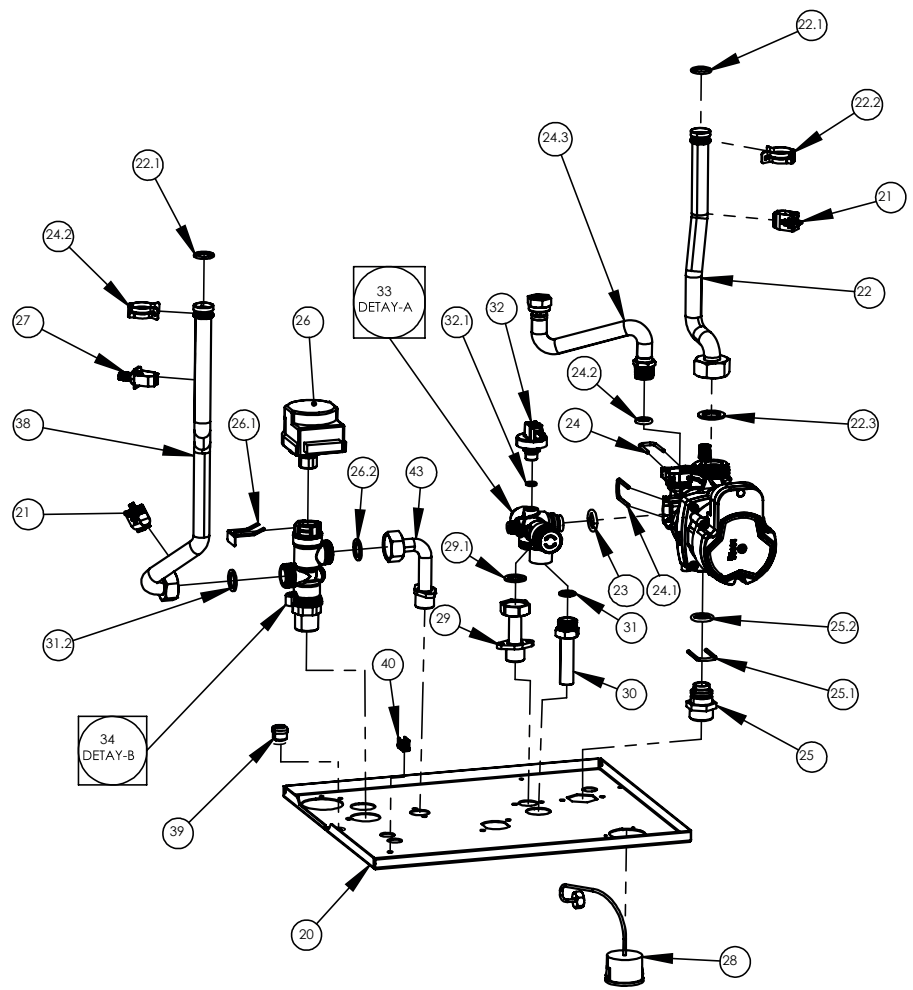
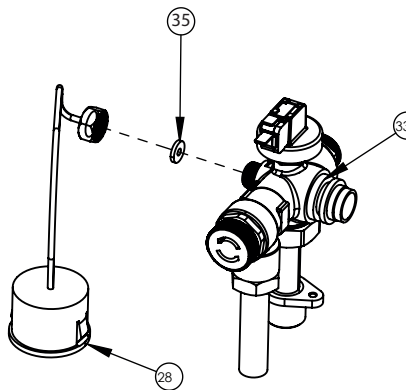
## Combi Boiler

Number	Part Code	Part Definition	25 kW	32 kW	37 kW
23/34	75000525A	NTC Thermostat	•	•	•
24	75000993A	Hex Pump Pipe		•	
24	75001143A	Hex Pump Pipe	•		•
24.1	75000181A	ORING 17.85x2.62 EPDM	•	•	•
24.2	75000179A	Heat Exchanger Burner Clip 18	•	•	•
24.3	75000688A	GASKET 30x20x2	•	•	•
25	75000783A	Plate Heat Exchanger			•
25	75000146A	Plate Heat Exchanger	•		
25	75000296A	Plate Heat Exchanger		•	
26	75001115A	Hydrolic Joint Group	•	•	•
26.1	75000485A	EPDM ORING 18.64x3.53	•	•	•
26.2	75000486A	EPDM ORING 17x4	•	•	•
26.3	670000319	36290001- Tap Filling Group	•	•	•
26.4	670000334	1236290137-Sheetmetal Clip	•	•	•
26.5	670000318	36290004-Joint Group	•	•	•
26.6	670000316	30290015-Turbine Group	•	•	•
26.7	670000317	30290003-Flow Sensor Group	•	•	•
26.8	670000335	36190136-Sheetmetal Clip 18	•	•	•
26.9	670000332	36290138-U Clip (Big)	•	•	•
26.1	670000333	36290139-U Clip (Small)	•	•	•
27	75000818A	Hydrolic Outlet Group	•	•	•
27.1	75000485A	EPDM ORING 18.64x3.53	•	•	•
27.2	670000323	36190002-Motor Holder Group	•	•	•
27.3	670000324	30190003-3Wv Spindle Group	•	•	•
27.4	670000327	36190133-Safety Valve Clip	•	•	•
27.5	670000336	30190134-Sheetmetal Clip 14	•	•	•
27.6	670000313	36190024-Dhw Joint Group	•	•	•
27.7	670000329	36190135-Sheetmetal Clip 18	•	•	•
27.8	670000312	36190004-Ch Joint Group	•	•	•
27.9	670000326	30100023-Backflow Spring	•	•	•
27.1	670000325	30190024-Low Clape Group	•	•	•
27.11	670000310	1400C312022-Safety Valve	•	•	•
28	75001231A	SHINHOO Pumps GPA15-7.5 III PRO Z108	•	•	•
28.1	75000696A	Clip 39.5x24.2x26.25	•	•	•
28.2	75000623A	Clip 33.5x20.2x22x2	•	•	•
28.3	75000508A	Expansion Tank Hose	•	•	•
29	75000663A	Pump Nipple	•	•	•
29.1	75000696A	Clip 39.5x24.2x26.25	•	•	•
29.2	75000485A	ORING 18.64x3.53	•	•	•
30	75000485A	EPDM ORING 18.64x3.53	•	•	•
31	75000132A	3WV Motor	•	•	•
31.1	75000703A	3WV Motor Clip	•	•	•
32	75000992A	Heat Exchanger Hydrolic Connection Pipe		•	
32	75001144A	Heat Exchanger Hydrolic Connection Pipe	•		
32	75001032A	Heat Exchanger Hydrolic Connection Pipe			•
32.1	75000181A	ORING 17.85x2.62 EPDM	•	•	•
32.2	75000179A	Heat Exchanger Burner Clip 18	•	•	•
32.3	75000414A	GASKET 24x17x2 3/4	•	•	•
33	75000115A	Safety Thermostat EON+Eomix	•	•	•
35	75000671A	Low Pressure Sensor Eomix	•	•	•
36	75000651A	DHW NTC Sensor Eomix	•	•	•
37	75000767A	Manometer 40030589	•	•	•
37.1	75000668A	Manometer Plastic	•	•	•

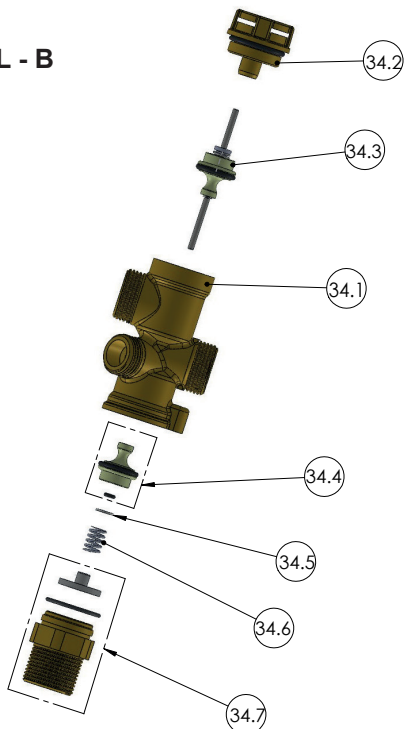
Bypass Montage



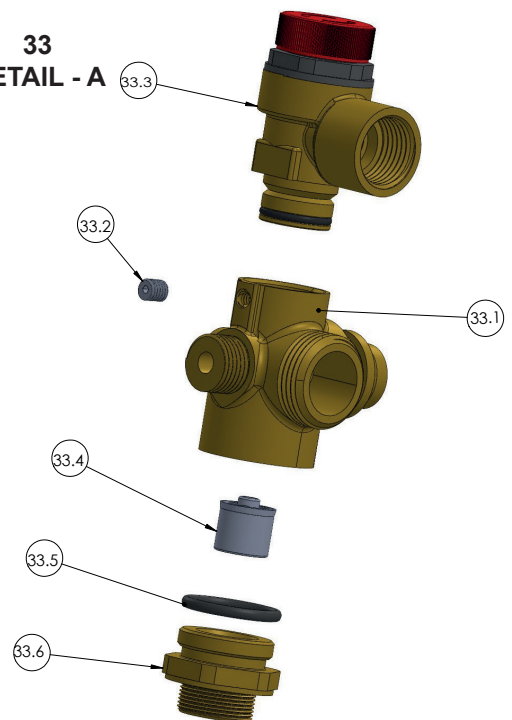
Manometer Montage



34  
DETAIL - B



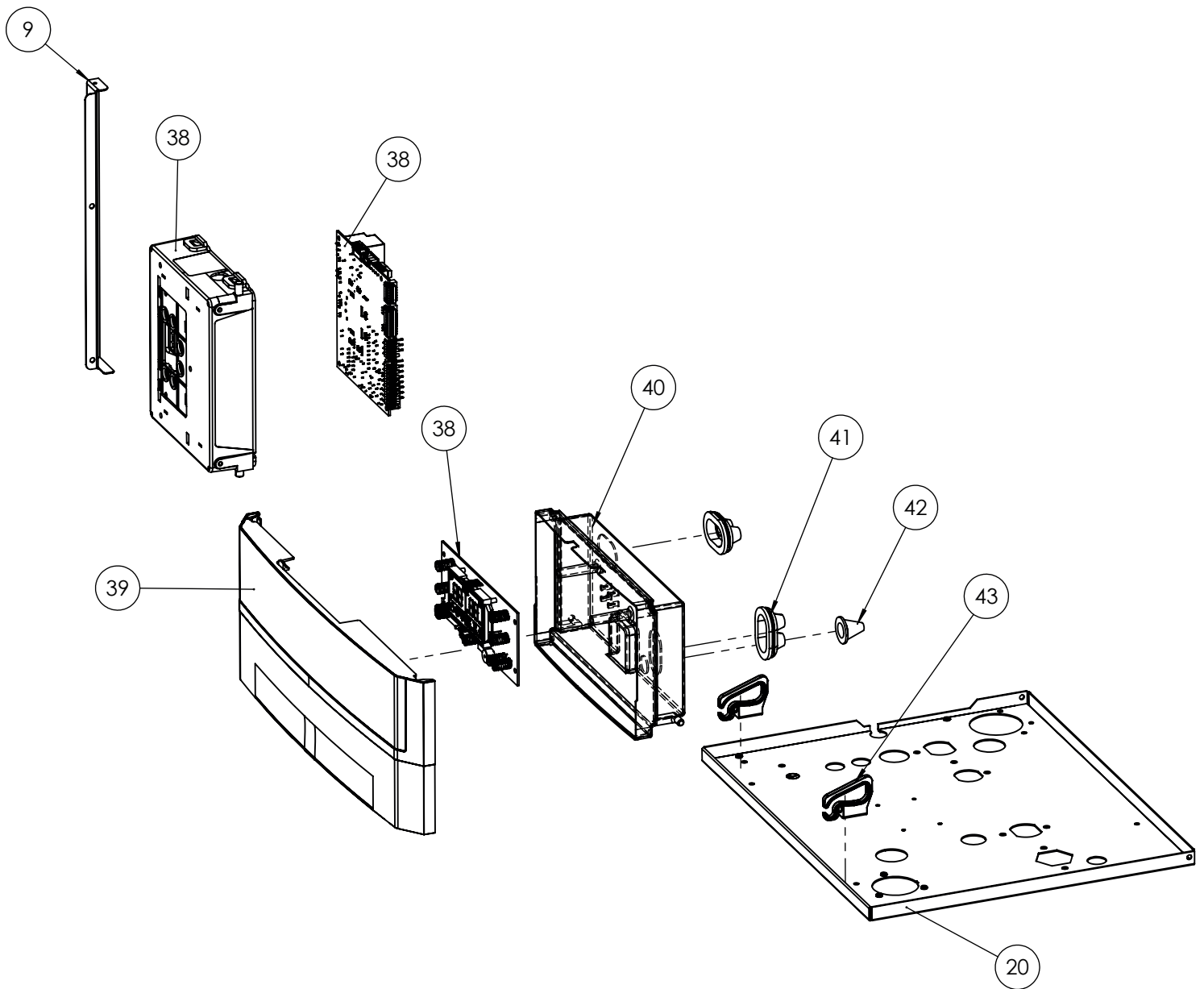
33  
DETAIL - A



## Spare Part List

## System Boiler

Number	Part Code	Part Definition	25 kW	32 kW	37 kW
20	80060040A	Lower Console Eomix Plus	•	•	•
21	75000525A	NTC Thermostat	•	•	•
22	75001482A	Hex Pump Pipe	•	•	•
22.1	75000993A	ORING 17.85x2.62 EPDM	•	•	•
22.2	75000181A	Heat Exchanger Burner Clip 18	•	•	•
22.3	75000179A	GASKET 30x20x2	•	•	•
23	75000486A	Hydrolic Joint Group	•	•	•
24	75001231A	SHINHOO Pumps GPA15-7.5 III PRO Z108	•	•	•
24.1	75000696A	Clip 39.5x24.2x26.25	•	•	•
24.2	75000623A	Clip 33.5x20.2x22x2	•	•	•
24.3	75000508A	Expansion Tank Hose	•	•	•
25	75000663A	Pump Nipple	•	•	•
25.1	75000696A	Clip 39.5x24.2x26.25	•	•	•
25.2	75000485A	ORING 18.64x3.53	•	•	•
26	75000132A	3WV Motor	•	•	•
26.1	75000703A	3WV Motor Clip	•	•	•
26.2	75000414A	GASKET 24x17x2 3/4	•	•	•
27	75000115A	Safety Thermostat EON+Eomix	•	•	•
28	75000767A	Manometer 40030589	•	•	•
29	75001343A	Inlet Pipe	•	•	•
29.1	75000414A	3/4 Gasket	•	•	•
30	75001451A	Copper Pipe Safety Ventil	•	•	•
31	75000194A	Gasket 18.2x12x2	•	•	•
32	75000768A	Low Pressure Switch	•	•	•
32.1	75000295A	Gasket 11.7x6x2	•	•	•
33	75001339A	31700004 System Boiler Input Manifold	•	•	•
33.1	670000356	31700032-Body	•	•	•
33.2	670000345	13000420-Setskur M4x6	•	•	•
33.3	670000346	14002401-Safety Ventil	•	•	•
33.4	670000347	30490400001-Bypass	•	•	•
33.5	670000348	12074010-ORING 23.47x2.62	•	•	•
33.6	670000349	31790005-Bypass Nipple	•	•	•
34	75001338A	31500000 System Boiler Output Manifold	•	•	•
34.1	670000357	31500021-Body	•	•	•
34.2	670000350	30190002-Motor Holder Group	•	•	•
34.3	670000351	31590003-3WV Spindle Group	•	•	•
34.4	670000352	30190124-Lower Clape Group	•	•	•
34.5	670000353	30200024-Stamp	•	•	•
34.6	670000354	30100023-Spring	•	•	•
34.7	670000355	30190004-3WV Nipple	•	•	•
35	75001342A	GASKET NAM42 GF- 12x4x2	•	•	•
36	75001341A	Bypass Pipe	•	•	•
37	75000194A	GASKET 1/2 18.2x12x2	•	•	•



**Spare Part List**

Number	Part Code	Part Definition	25 kW	32 kW	37 kW
9	75001024A	L Bracket Card Support	•	•	•
20	75001477A	Lower Console COPA Eomix Plus System Boiler	•	•	•
38	75001012A	PCB Group COPA Eomix Plus	•	•	•
39	75001014A	Front Body White Plastic Eomix Plus	•	•	•
40	75000660A	PCB Cover/ Black Plastic Eomix	•	•	•
41	75000892A	Black Cable Gasket	•	•	•
42	75000459A	Cable Silicone	•	•	•
43	75000779A	Plastic Hinge	•	•	•
x	75001480A	Cable Harness COPA Eomix Plus System Boiler	•	•	•